

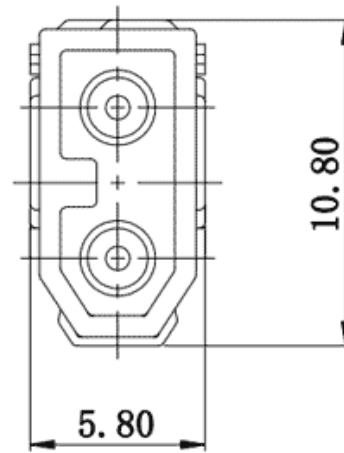
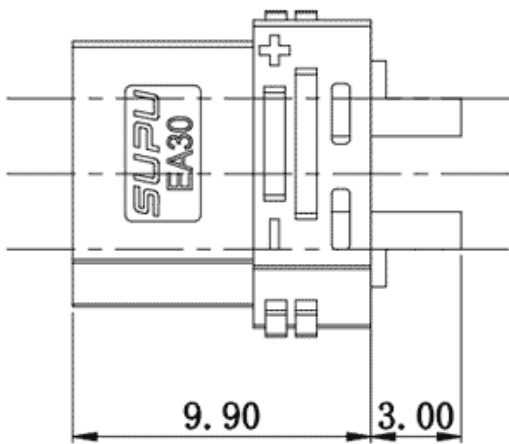


Product Type: Low-voltage High-current Connector

Product Name:EA30LHF2G-OG

Product Description: Connectors for Drones and Embodied Intelligence:Color:Orange,Rated current:20A,Rated voltage(III/3)250V,Rated impulse voltage1000V,Product type:Straight female connector for Line,Cross-section:16AWG,Pins:2-Pin,Contact plating:Au,Plated

Product Size



Parameters

| | |
|---------------------------------------------|--------------|
| <input checked="" type="checkbox"/> SUPU ID | EA30LHF2G-OG |
| <input checked="" type="checkbox"/> Pitch | 5 |

| | |
|------------------------------------------------------|-------------------|
| <input type="checkbox"/> Connection method | Welded |
| <input type="checkbox"/> Protection Level | IP40 |
| <input type="checkbox"/> Operating temperature range | -40°C~125°C |
| <input type="checkbox"/> Insulation material | PA |
| <input type="checkbox"/> Insulation material group | I |
| <input type="checkbox"/> Contact material | Copper Alloy |
| <input type="checkbox"/> Contact plating | Au,Plated |
| <input type="checkbox"/> Insertion/withdrawal cycles | 100 |
| <input type="checkbox"/> 塑件结构 | line |
| <input type="checkbox"/> 焊脚规格 | / |
| <input type="checkbox"/> Outgoing direction | Horizontal Wiring |

Technical data

| | |
|------------------------------------------------|-------|
| <input type="checkbox"/> Rated Voltage | 250V |
| <input type="checkbox"/> Overvoltage category | III |
| <input type="checkbox"/> Degree of pollution | 3 |
| <input type="checkbox"/> Rated impulse voltage | 1000V |

Commercial data

| | |
|-----------------------------------|--------------|
| <input type="checkbox"/> Order No | EA30LHF2G-OG |
|-----------------------------------|--------------|

Ningbo SUPU Electronics Co., Ltd.

Address: No. 150, Xinxing 4th Road, High-tech Industrial Development Zone,
Cixi City, Zhejiang Province, China

Zip code: 315303

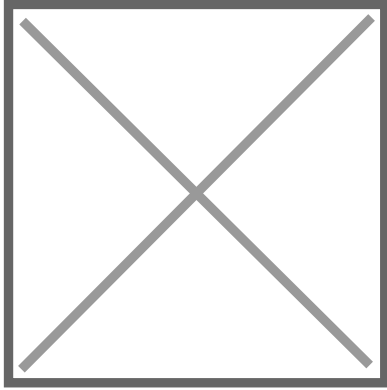
Ningbo SUPU Electronics Co., Ltd.

Switchboard: +86 574-63288158

Fax: +86 574-63288170

E-mail:supucontact@supu.cn

Service Hotline: 400-626-6336



Wechat

Date:2026-05-04 11:08

The right to modify data belongs to SUPU.