

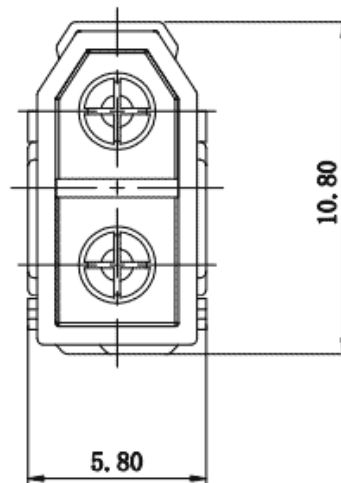
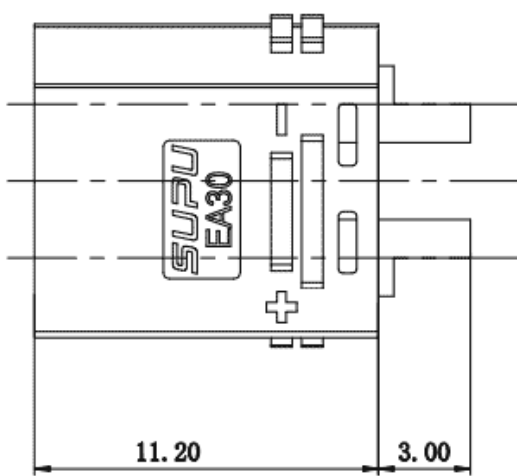


Product Type: Low-voltage High-current Connector

Product Name:EA30LHM2G-OG

Product Description: Connectors for Drones and Embodied Intelligence:Color:Orange,Rated current:20A,Rated voltage(III/3)250V,Rated impulse voltage1000V,Product type:Straight male connector for Line,Cross-section:16AWG,Pins:2-Pin,Contact plating:Au,Plated

Product Size



Parameters

<input checked="" type="checkbox"/> SUPU ID	EA30LHM2G-OG
<input checked="" type="checkbox"/> Pitch	5
<input checked="" type="checkbox"/> Connection method	Welded

<input type="checkbox"/> Protection Level	IP40
<input type="checkbox"/> Operating temperature range	-40°C~125°C
<input type="checkbox"/> Insulation material	PA
<input type="checkbox"/> Insulation material group	I
<input type="checkbox"/> Contact material	Copper Alloy
<input type="checkbox"/> Contact plating	Au,Plated
<input type="checkbox"/> Insertion/withdrawal cycles	100
<input type="checkbox"/> 塑件结构	line
<input type="checkbox"/> 焊脚规格	/
<input type="checkbox"/> Outgoing direction	Horizontal Wiring

Technical data

<input type="checkbox"/> Rated Voltage	250V
<input type="checkbox"/> Overvoltage category	III
<input type="checkbox"/> Degree of pollution	3
<input type="checkbox"/> Rated impulse voltage	1000V

Commercial data

<input type="checkbox"/> Order No	EA30LHM2G-OG
-----------------------------------	--------------

Ningbo SUPU Electronics Co., Ltd.

Address: No. 150, Xinxing 4th Road, High-tech Industrial Development Zone,
Cixi City, Zhejiang Province, China

Zip code: 315303

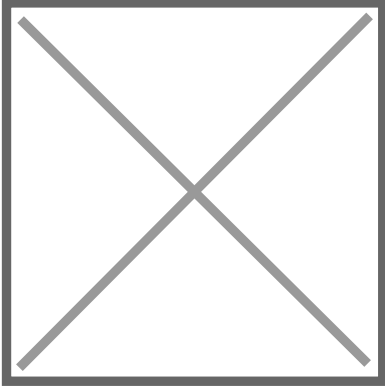
Switchboard: +86 574-63288158

Ningbo SUPU Electronics Co., Ltd.

Fax: +86 574-63288170

E-mail:supucontact@supu.cn

Service Hotline: 400-626-6336



Wechat

Date:2026-05-04 11:11

The right to modify data belongs to SUPU.