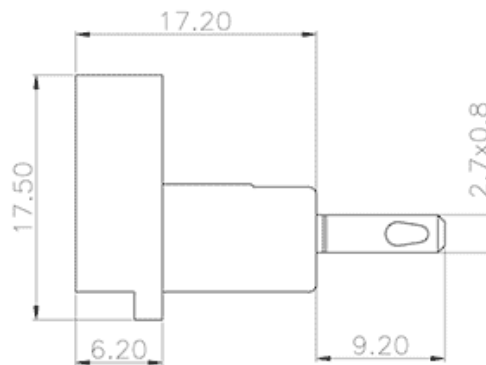
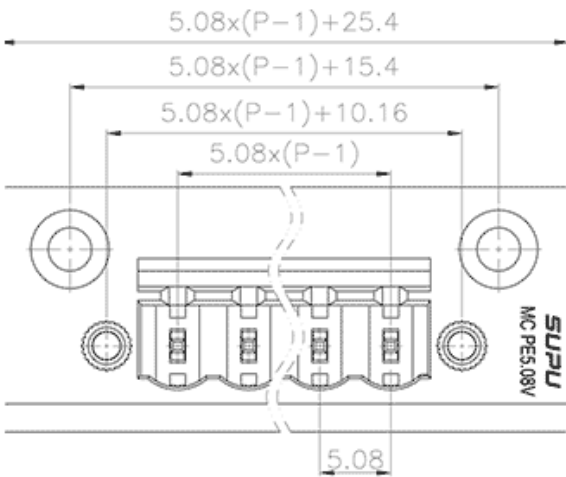


Product Type: Plug-in terminal-Socket

Product Name:MC-PE5.08V17-F-0001

Product Description: Pitch: 5.08mm Rated Voltage : 320V Rated Current: 12A colour : customizable

## Product Size



## Parameters

|                         |                     |
|-------------------------|---------------------|
| ☞ SUPU ID               | MC-PE5.08V17-F-0001 |
| ☞ Pitch                 | 5.08                |
| ☞ Number of levels      | Single layer        |
| ☞ Number of connections | 17                  |

|                               |                                  |
|-------------------------------|----------------------------------|
| ☞ Connection method           | -                                |
| ☞ Protection Level            | IP20                             |
| ☞ Operating temperature range | -40~+105°C                       |
| ☞ Insulation material         | PA66                             |
| ☞ Insulation material group   | I                                |
| ☞ Contact material            | Copper alloy                     |
| ☞ Contact plating             | Sn,Plated                        |
| ☞ Color                       | Green/Black/Blue/Grey/Orange/Red |

## Technical data

|                         |                   |
|-------------------------|-------------------|
| ☞ IEC Rated Current     | 320V              |
| ☞ IEC Rated Voltage     | 12A               |
| ☞ Overvoltage category  | III III II        |
| ☞ Degree of pollution   | 3 2 2             |
| ☞ Rated impulse voltage | 4.0KV 4.0KV 4.0KV |
| ☞ UL Rated Current      | 15A - 10A         |
| ☞ UL Rated Voltage      | 300V - 300V       |
| ☞ Use group             | B/C/D             |

## Commercial data

|            |                     |
|------------|---------------------|
| ☞ Order No | MC-PE5.08V17-F-0001 |
|------------|---------------------|

Address: No. 150, Xinxing 4th Road, High-tech Industrial Development Zone,

Cixi City, Zhejiang Province, China

Zip code: 315303

Switchboard: +86 574-63288158

Fax: +86 574-63288170

E-mail:supucontact@supu.cn

Service Hotline: 400-626-6336



Wechat

---

Date:2026-05-15 14:37

The right to modify data belongs to SUPU.