

Product Type: Fixed terminal

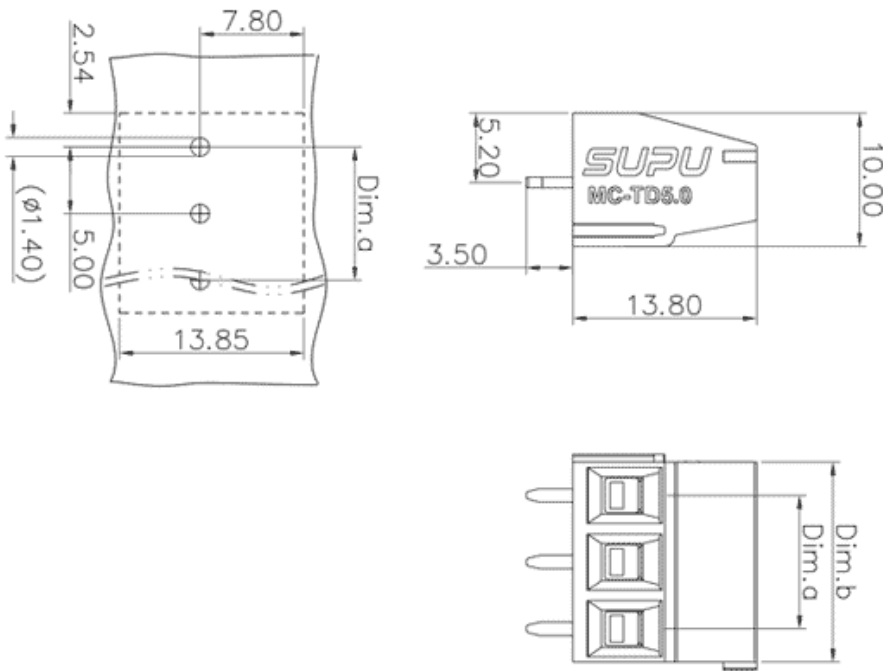
Product Name:MC-TD5.0H02C-0001

Product Description: Pitch:5mm Rated

Voltage : 400V Rated Current:24A Connection

method : Screw connection colour : customizable

Product Size



Parameters

| | |
|---|-------------------|
| <input checked="" type="checkbox"/> SUPU ID | MC-TD5.0H02C-0001 |
| <input checked="" type="checkbox"/> Pitch | 5 |
| <input checked="" type="checkbox"/> Number of levels | Single layer |
| <input checked="" type="checkbox"/> Number of connections | 2 |

| | |
|---|----------------------------------|
| <input checked="" type="checkbox"/> Connection method | Screw connection |
| <input checked="" type="checkbox"/> Protection Level | IP20 |
| <input checked="" type="checkbox"/> Operating temperature range | -40~+105°C |
| <input checked="" type="checkbox"/> Insulation material | PA66 |
| <input checked="" type="checkbox"/> Insulation material group | I |
| <input checked="" type="checkbox"/> Contact material | Copper alloy |
| <input checked="" type="checkbox"/> Contact plating | Sn,Plated |
| <input checked="" type="checkbox"/> Color | Green/Black/Blue/Grey/Orange/Red |

Technical data

| | |
|---|------------------------|
| <input checked="" type="checkbox"/> IEC Rated Current | 24A |
| <input checked="" type="checkbox"/> IEC Rated Voltage | 400V |
| <input checked="" type="checkbox"/> Overvoltage category | III/III/ II |
| <input checked="" type="checkbox"/> Degree of pollution | 3 2 2 |
| <input checked="" type="checkbox"/> Rated impulse voltage | 4.0KV 4.0KV 4.0KV |
| <input checked="" type="checkbox"/> UL Rated Current | 15A - 10A |
| <input checked="" type="checkbox"/> UL Rated Voltage | 300V - 300V |
| <input checked="" type="checkbox"/> Conductor cross section rigid | 0.2-2.5mm ² |
| <input checked="" type="checkbox"/> Conductor cross section flexible | 0.2-2.5mm ² |
| <input checked="" type="checkbox"/> Conductor cross section flexible,with ferrule | 0.2-2.5mm ² |
| <input checked="" type="checkbox"/> Locking screw Specification | M3 |
| <input checked="" type="checkbox"/> Locking screw torque | 0.5N.m |
| <input checked="" type="checkbox"/> Fixed Screw Specification | - |
| <input checked="" type="checkbox"/> Stripping length | 7-8mm |

☒ Order No

MC-TD5.0H02C-0001

Ningbo SUPU Electronics Co., Ltd.

Address: No. 150, Xinxing 4th Road, High-tech Industrial Development Zone,
Cixi City, Zhejiang Province, China

Zip code: 315303

Switchboard: +86 574-63288158

Fax: +86 574-63288170

E-mail:supucontact@supu.cn

Service Hotline: 400-626-6336



Wechat