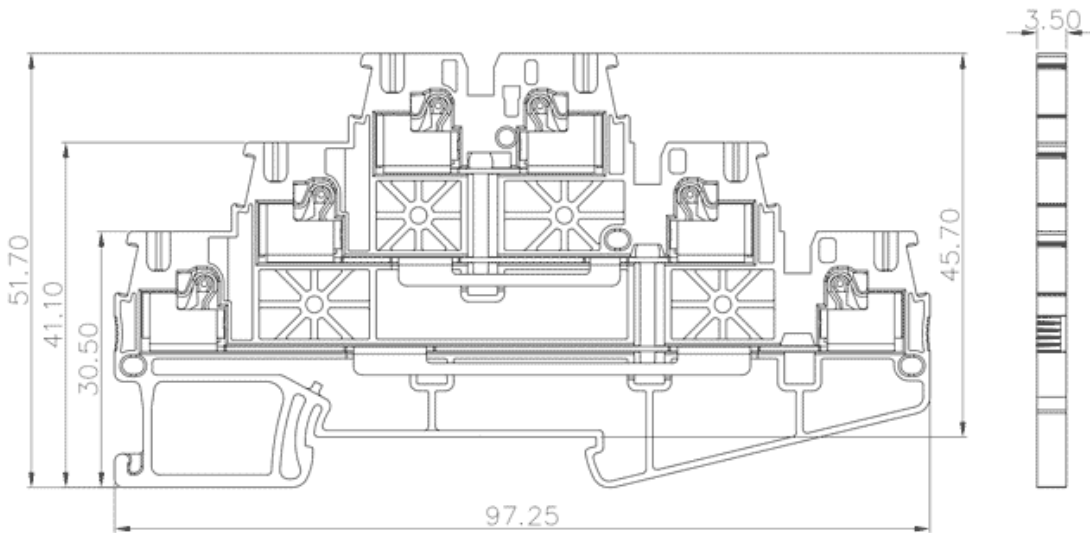


Product Type: Push-in spring terminal

## Product Name:TPT1.5-2-PV-XX

Product Description: Connection method:Push in connection,IEC Rated Current:16A,IEC Rated Voltage:500V,Number of connections:6,Number of levels : 3,Rated cross section:26-14AWG

### Product Size



### Parameters

☞ SUPU ID	TPT1.5-2-PV-XX
☞ Width	3.5mm
☞ Number of levels	3
☞ Number of connections	6

☞ Connection method	直插弹簧接线
☞ Protection Level	IP20
☞ Insulation material	PA66
☞ Insulation material group	I
☞ Contact material	Copper alloy
☞ Contact plating	Sn,Plated
☞ Ambient temperature (operation)	-40°C~105°C
☞ Ambient temperature (assembly)	-5°C~70°C
☞ Ambient temperature (storage)	-25°C~60°C
☞ Permissible humidity (storage/transport)	30%~70%

## Technical data

☞ IEC Rated Current	16A
☞ IEC Rated Voltage	500V
☞ Overvoltage category	III
☞ Degree of pollution	3
☞ Rated impulse voltage	6KV
☞ UL Rated Current	15/15/5A
☞ UL Rated Voltage	300/300/600V
☞ Conductor cross section rigid	0.2-1.5mm <sup>2</sup>
☞ Conductor cross section flexible	0.2-1.5mm <sup>2</sup>
☞ Conductor cross section flexible,with ferrule	0.2-1.0mm <sup>2</sup>
☞ Stripping length	8-10mm
☞ Use group	B/C/D

Commercial data

☞ Order No

TPT1.5-2-PV-XX

Ningbo SUPU Electronics Co., Ltd.

Address: No. 150, Xinxing 4th Road, High-tech Industrial Development Zone,  
Cixi City, Zhejiang Province, China

Zip code: 315303

Switchboard: +86 574-63288158

Fax: +86 574-63288170

E-mail:supucontact@supu.cn

Service Hotline: 400-626-6336



Wechat