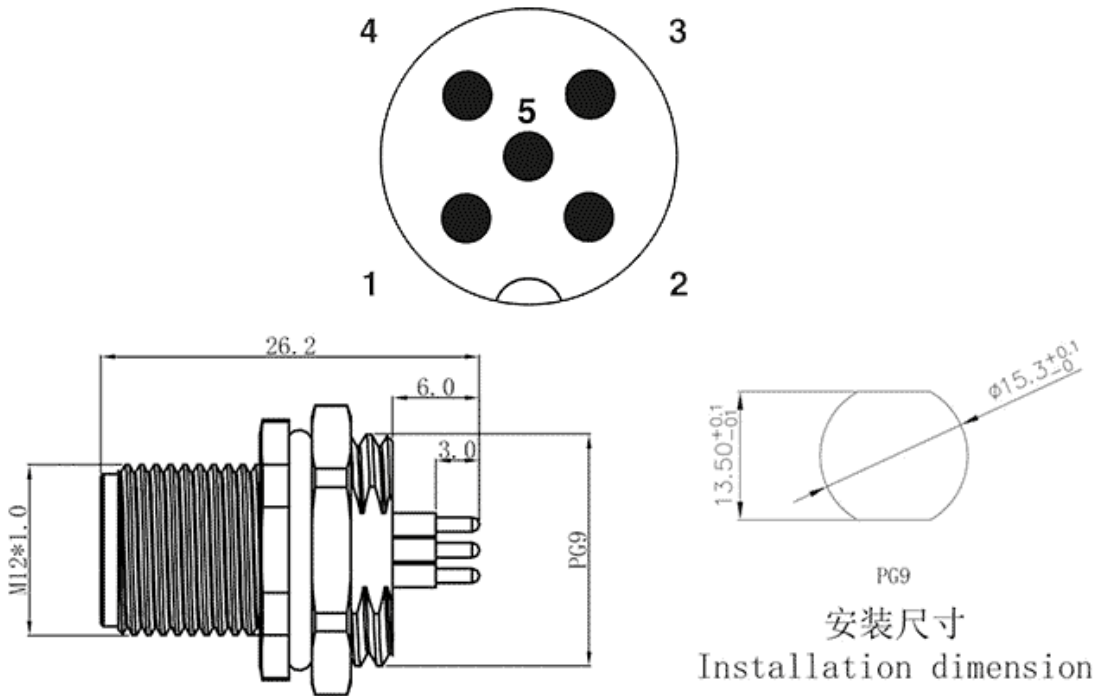


Product Type: M12 Panel Mounting Connector

Product Name: M12A05C-
MPBFHUS

Product Description:

Product Size



Parameters

<input checked="" type="checkbox"/> SUPU ID	M12
<input checked="" type="checkbox"/> Number of connections	5
<input checked="" type="checkbox"/> Protection Level	IP67
<input checked="" type="checkbox"/> Operating temperature range	-40~+85°C

<input type="checkbox"/> Mounting Type	板前安装
<input type="checkbox"/> Thread type	M12X1.0
<input type="checkbox"/> Category	针式
<input type="checkbox"/> Coding	A
<input type="checkbox"/> Connection method	PCB
<input type="checkbox"/> Mechanical endurance	100
<input type="checkbox"/> Standards	IEC61076-2-101

Commercial data

<input type="checkbox"/> Order No	M12A05C-MPBFHUS
<input type="checkbox"/> Packing unit	PCS
<input type="checkbox"/> Minimum order quantity	1

Ningbo SUPU Electronics Co., Ltd.

Address: No. 150, Xinxing 4th Road, High-tech Industrial Development Zone,

Cixi City, Zhejiang Province, China

Zip code: 315303

Switchboard: +86 574-63288158

Fax: +86 574-63288170

E-mail:supucontact@supu.cn

Service Hotline: 400-626-6336



Wechat

Date:2026-04-30 04:31

The right to modify data belongs to SUPU.