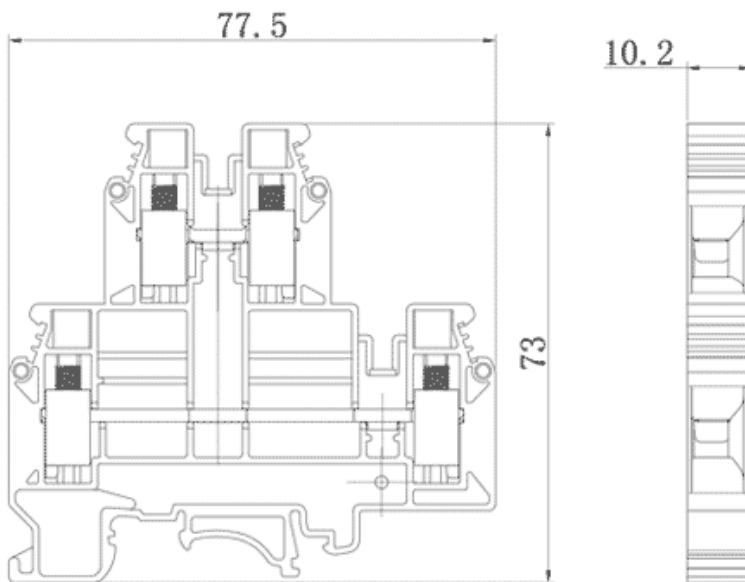


Product Type: Screw terminal

## Product Name:310921

Product Description: Connection method:Screw connection,IEC Rated current:57A,IEC Rated Voltage:500V,Number of connections:4,Number of levels : 2,Rated cross section:24-6AWG

### Product Size



### Parameters

|                         |        |
|-------------------------|--------|
| ☞ SUPU ID               | 310921 |
| ☞ Width                 | 10.2mm |
| ☞ Number of levels      | 2      |
| ☞ Number of connections | 4      |

|  |                              |
|--|------------------------------|
| ☞ Connection method                        | Screw connection             |
| ☞ Protection Level                         | IP20                         |
| ☞ Insulation material                      | PA66                         |
| ☞ Insulation material group                | I                            |
| ☞ Contact material                         | Copper                       |
| ☞ Contact plating                          | Ni,Plated                    |
| ☞ Ambient temperature (operation)          | -40°C~105°C                  |
| ☞ Ambient temperature (assembly)           | -5°C~70°C                    |
| ☞ Ambient temperature (storage)            | -25°C~60°C                   |
| ☞ Permissible humidity (storage/transport) | 30%~70%                      |
| ☞ Product type                             | Terminal block of side-entry |

## Technical data

|   |                       |
|---|-----------------------|
| ☞ IEC Rated Current                             | 57A                   |
| ☞ IEC Rated Voltage                             | 500V                  |
| ☞ Overvoltage category                          | III                   |
| ☞ Degree of pollution                           | 3                     |
| ☞ Rated impulse voltage                         | 6kV                   |
| ☞ UL Rated Current                              | 65A                   |
| ☞ UL Rated Voltage                              | 600V                  |
| ☞ Conductor cross section rigid                 | 0.5-10mm <sup>2</sup> |
| ☞ Conductor cross section flexible              | 0.5-10mm <sup>2</sup> |
| ☞ Conductor cross section flexible,with ferrule | 0.5-10mm <sup>2</sup> |
| ☞ Locking screw Specification                   | M4                    |

|                             |         |
|-----------------------------|---------|
| ☞ Locking screw torque      | 1.5N.m  |
| ☞ Fixed Screw Specification | /       |
| ☞ 固定螺钉扭矩                    | /       |
| ☞ Stripping length          | 11-12mm |
| ☞ Use group                 | B/C     |
| ☞ Rated cross section       | 24-6AWG |
| ☞ UL Rated Current          | 65A     |
| ☞ UL Rated Current          | 600V    |

## Commercial data

|            |        |
|------------|--------|
| ☞ Order No | 310921 |
|------------|--------|

### Ningbo SUPU Electronics Co., Ltd.

Address: No. 150, Xinxing 4th Road, High-tech Industrial Development Zone,

Cixi City, Zhejiang Province, China

Zip code: 315303

Switchboard: +86 574-63288158

Fax: +86 574-63288170

E-mail:supucontact@supu.cn

Service Hotline: 400-626-6336



---

Date:2026-04-28 18:57

The right to modify data belongs to SUPU.