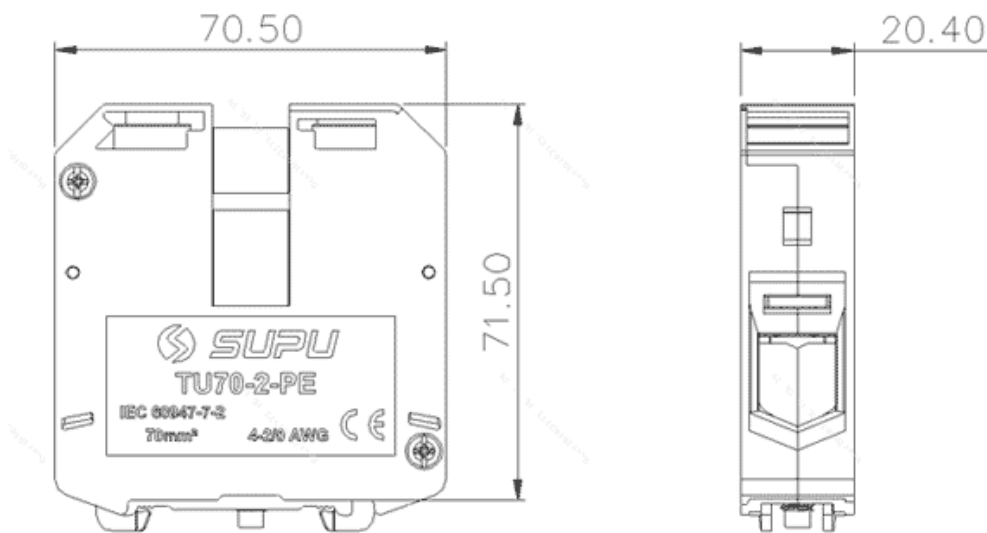


Product Type: Screw terminal

## Product Name: TU70-2-PE

Product Description: Connection method: Screw connection, IEC Rated current: /, IEC Rated Voltage: 1000V, Number of connections: 2, Number of levels : 1, Rated cross section: 6-3/0AWG

### Product Size



### Parameters

⌘ SUPU ID	TU70-2-PE
⌘ Width	20.4mm
⌘ Number of levels	1
⌘ Number of connections	2

☞ Connection method	Screw connection
☞ Protection Level	IP20
☞ Insulation material	PA66
☞ Insulation material group	I
☞ Contact material	Copper alloy
☞ Contact plating	Sn,Plated
☞ Ambient temperature (operation)	-40°C~105°C
☞ Ambient temperature (assembly)	-5°C~70°C
☞ Ambient temperature (storage)	-25°C~60°C
☞ Permissible humidity (storage/transport)	30%~70%
☞ Product type	Ground terminal

## Technical data

☞ IEC Rated Current	/
☞ IEC Rated Voltage	1000V
☞ Overvoltage category	III
☞ Degree of pollution	3
☞ Rated impulse voltage	8kV
☞ UL Rated Current	/
☞ UL Rated Voltage	600V
☞ Conductor cross section rigid	16-95mm <sup>2</sup>
☞ Conductor cross section flexible	16-70mm <sup>2</sup>
☞ Conductor cross section flexible,with furrule	16-70mm <sup>2</sup>
☞ Locking screw Specification	M8(hexagonal)

☞ Locking screw torque	8-10N.m
☞ Fixed Screw Specification	/
☞ 固定螺钉扭矩	/
☞ Stripping length	24mm
☞ Use group	B/C
☞ Rated cross section	6-3/0AWG
☞ UL Rated Current	/
☞ UL Rated Current	600V

## Commercial data

☞ Order No	TU70-2-PE
------------	-----------

### Ningbo SUPU Electronics Co., Ltd.

Address: No. 150, Xinxing 4th Road, High-tech Industrial Development Zone,

Cixi City, Zhejiang Province, China

Zip code: 315303

Switchboard: +86 574-63288158

Fax: +86 574-63288170

E-mail:supucontact@supu.cn

Service Hotline: 400-626-6336



---

Date:2026-04-28 22:59

The right to modify data belongs to SUPU.