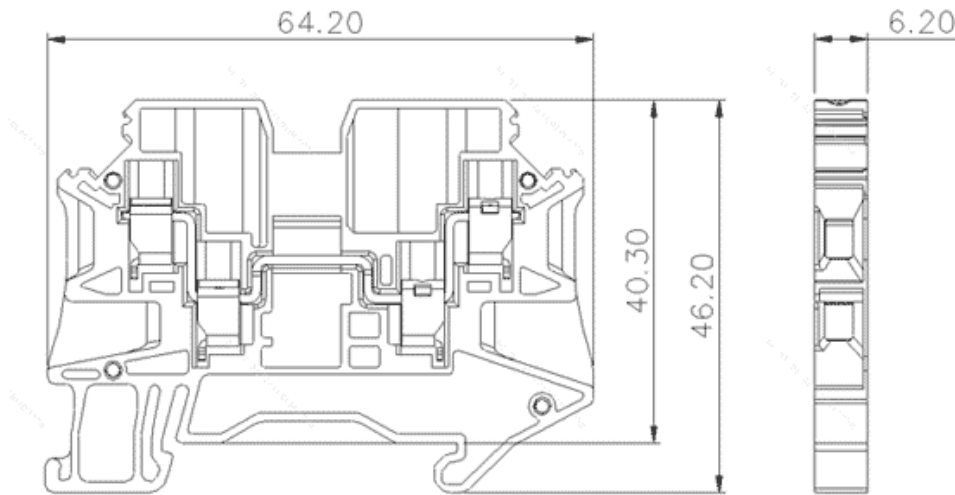


Product Type: Screw terminal

## Product Name: TU4-4-GY

Product Description: Connection method: Screw connection, IEC Rated current: 32A, IEC Rated Voltage: 800V, Number of connections: 4, Number of levels : 1, Rated cross section: 26-10AWG

### Product Size



### Parameters

|                         |          |
|-------------------------|----------|
| ⌘ SUPU ID               | TU4-4-GY |
| ⌘ Width                 | 6.2mm    |
| ⌘ Number of levels      | 1        |
| ⌘ Number of connections | 4        |

|  |                              |
|--|------------------------------|
| ☞ Connection method                        | Screw connection             |
| ☞ Protection Level                         | IP20                         |
| ☞ Insulation material                      | PA66                         |
| ☞ Insulation material group                | I                            |
| ☞ Contact material                         | Copper alloy                 |
| ☞ Contact plating                          | Sn,Plated                    |
| ☞ Ambient temperature (operation)          | -40°C~105°C                  |
| ☞ Ambient temperature (assembly)           | -5°C~70°C                    |
| ☞ Ambient temperature (storage)            | -25°C~60°C                   |
| ☞ Permissible humidity (storage/transport) | 30%~70%                      |
| ☞ Product type                             | Terminal block of side-entry |

## Technical data

|   |                      |
|---|----------------------|
| ☞ IEC Rated Current                             | 32A                  |
| ☞ IEC Rated Voltage                             | 800V                 |
| ☞ Overvoltage category                          | III                  |
| ☞ Degree of pollution                           | 3                    |
| ☞ Rated impulse voltage                         | 8kV                  |
| ☞ UL Rated Current                              | 30/30/5A             |
| ☞ UL Rated Voltage                              | 300/300/600V         |
| ☞ Conductor cross section rigid                 | 0.2-6mm <sup>2</sup> |
| ☞ Conductor cross section flexible              | 0.2-4mm <sup>2</sup> |
| ☞ Conductor cross section flexible,with ferrule | 0.2-4mm <sup>2</sup> |
| ☞ Locking screw Specification                   | M3                   |

|                             |              |
|-----------------------------|--------------|
| ☞ Locking screw torque      | 0.5N.m       |
| ☞ Fixed Screw Specification | /            |
| ☞ 固定螺钉扭矩                    | /            |
| ☞ Stripping length          | 9mm          |
| ☞ Use group                 | B/C/D        |
| ☞ Rated cross section       | 26-10AWG     |
| ☞ UL Rated Current          | 30/30/5A     |
| ☞ UL Rated Current          | 300/300/600V |

## Commercial data

|            |          |
|------------|----------|
| ☞ Order No | TU4-4-GY |
|------------|----------|

### Ningbo SUPU Electronics Co., Ltd.

Address: No. 150, Xinxing 4th Road, High-tech Industrial Development Zone,

Cixi City, Zhejiang Province, China

Zip code: 315303

Switchboard: +86 574-63288158

Fax: +86 574-63288170

E-mail:supucontact@supu.cn

Service Hotline: 400-626-6336



---

Date:2026-05-13 19:21

The right to modify data belongs to SUPU.