

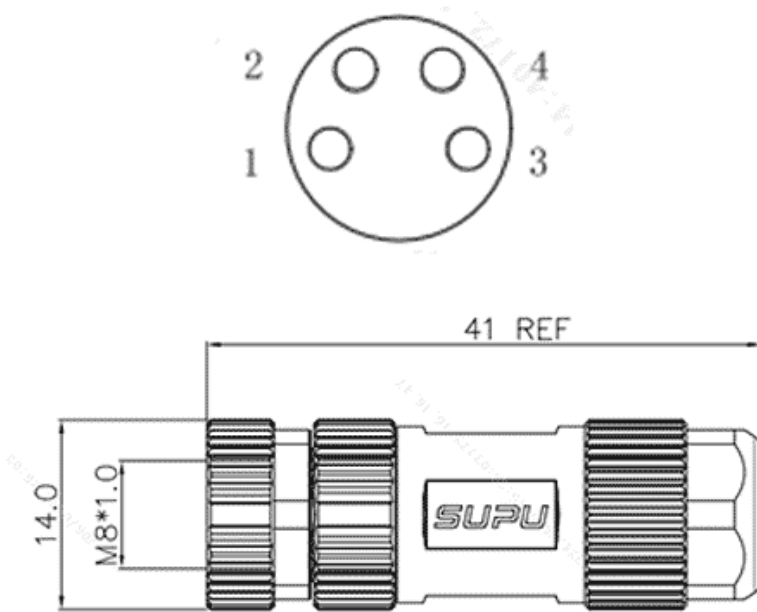


Product Type: M8 Field-assembly Connector

## Product Name:M8A04Z-FASSTSA

Product Description: M8 assembly welded type, straight female 4-core ,shielded,the diameter of the adapter wire is 3.5-5.0MM

### Product Size



### Parameters

☞ SUPU ID	M8
☞ Number of connections	4
☞ Connection method	Solder Type
☞ Cable OD.	3.5-5.0mm

☞ Protection Level	IP67
☞ Operating temperature range	-40~+85°C
☞ Mounting Type	Field
☞ Thread type	M8X1.0
☞ Category	Female
☞ Product type	assembly,straight
☞ Coding	A
☞ Connection method	Solder Type
☞ Shielded	YES
☞ Mechanical endurance	≥100
☞ Standards	IEC61076-2-104

## Technical data

☞ IEC Rated Current	3A
☞ IEC Rated Voltage	50 VAC / 60 VDC
☞ Degree of pollution	3
☞ Insulation Resistance	≥100MΩ
☞ Contact resistance	<10mΩ
☞ Contact/surface material	CuSn/Ni/Au
☞ Contact carrier material	PA
☞ Screw/nut material	CuZn
☞ Sealing material	NBR

## Commercial data

## Ningbo SUPU Electronics Co., Ltd.

Address: No. 150, Xinxing 4th Road, High-tech Industrial Development Zone,  
Cixi City, Zhejiang Province, China

Zip code: 315303

Switchboard: +86 574-63288158

Fax: +86 574-63288170

E-mail:supucontact@supu.cn

Service Hotline: 400-626-6336



Wechat