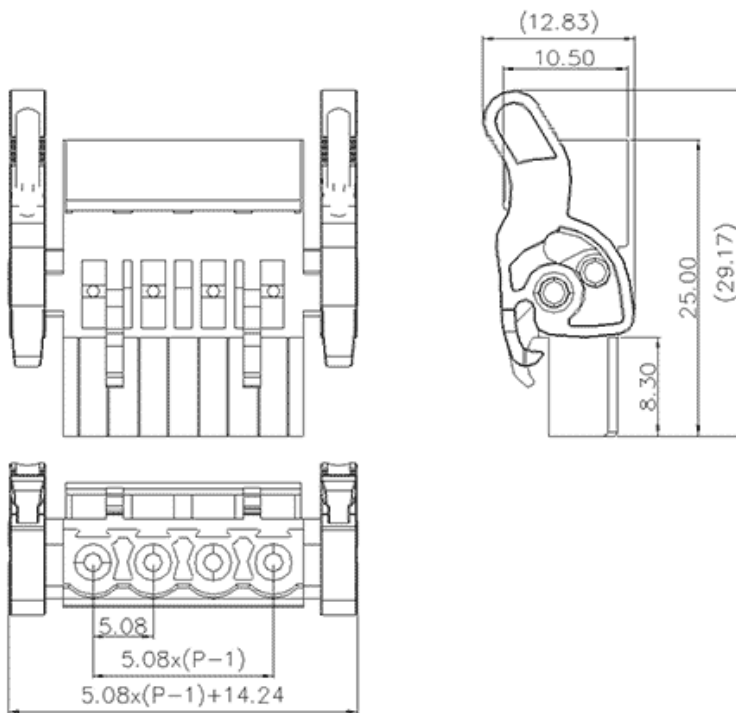


Product Type: Crimp terminal

Product Name:MC-
RB5.08HXXB-I-100-0001

Product Description: Pitch:5.08mm Rated
Voltage : 320V Connection method : Cold
connection

Product Size



Parameters

⌘ SUPU ID	MC-RB5.08H02B-I/100-0001
⌘ Pitch	5.08
⌘ Number of levels	Single layer
⌘ Number of connections	XX

Connection method	Cold Pressure Wiring
Protection Level	IP20
Operating temperature range	-40~+105°C
Insulation material	PA66
Insulation material group	I
Contact material	Copper alloy
Contact plating	Sn,Plated
Color	Green

Commercial data

Order No	MC-RB5.08H02B-I/100-0001
----------	--------------------------

Ningbo SUPU Electronics Co., Ltd.

Address: No. 150, Xinxing 4th Road, High-tech Industrial Development Zone,

Cixi City, Zhejiang Province, China

Zip code: 315303

Switchboard: +86 574-63288158

Fax: +86 574-63288170

E-mail:supucontact@supu.cn

Service Hotline: 400-626-6336



Date:2026-04-28 17:37

The right to modify data belongs to SUPU.