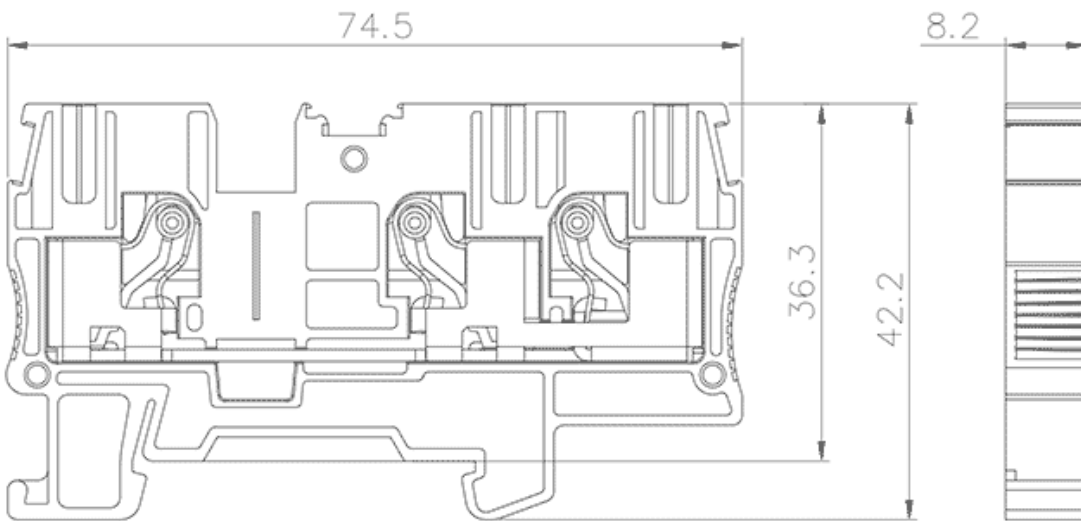


Product Type: Push-in spring terminal

## Product Name:TP6-3-GY

Product Description: Connection method:Push in connection,IEC Rated Current:41A,IEC Rated Voltage:1000V,Number of connections:3,Number of levels : 1,Rated cross section:20-8AWG

### Product Size



### Parameters

|                         |          |
|-------------------------|----------|
| ☞ SUPU ID               | TP6-3-GY |
| ☞ Width                 | 8.2mm    |
| ☞ Number of levels      | 1        |
| ☞ Number of connections | 3        |

|  |              |
|--|--------------|
| ☞ Connection method                        | 直插弹簧接线       |
| ☞ Protection Level                         | IP20         |
| ☞ Insulation material                      | PA66         |
| ☞ Insulation material group                | I            |
| ☞ Contact material                         | Copper alloy |
| ☞ Contact plating                          | Sn,Plated    |
| ☞ Ambient temperature (operation)          | -40°C~105°C  |
| ☞ Ambient temperature (assembly)           | -5°C~70°C    |
| ☞ Ambient temperature (storage)            | -25°C~60°C   |
| ☞ Permissible humidity (storage/transport) | 30%~70%      |

## Technical data

|   |                       |
|---|-----------------------|
| ☞ IEC Rated Current                             | 41A                   |
| ☞ IEC Rated Voltage                             | 1000V                 |
| ☞ Overvoltage category                          | III                   |
| ☞ Degree of pollution                           | 3                     |
| ☞ Rated impulse voltage                         | 8KV                   |
| ☞ UL Rated Current                              | 40A                   |
| ☞ UL Rated Voltage                              | 600V                  |
| ☞ Conductor cross section rigid                 | 0.5-10mm <sup>2</sup> |
| ☞ Conductor cross section flexible              | 0.5-6mm <sup>2</sup>  |
| ☞ Conductor cross section flexible,with ferrule | 0.5-6mm <sup>2</sup>  |
| ☞ Stripping length                              | 10-12mm               |
| ☞ Use group                                     | B/C                   |

Commercial data

Ningbo SUPU Electronics Co., Ltd.

Address: No. 150, Xinxing 4th Road, High-tech Industrial Development Zone,  
Cixi City, Zhejiang Province, China

Zip code: 315303

Switchboard: +86 574-63288158

Fax: +86 574-63288170

E-mail:supucontact@supu.cn

Service Hotline: 400-626-6336



Wechat