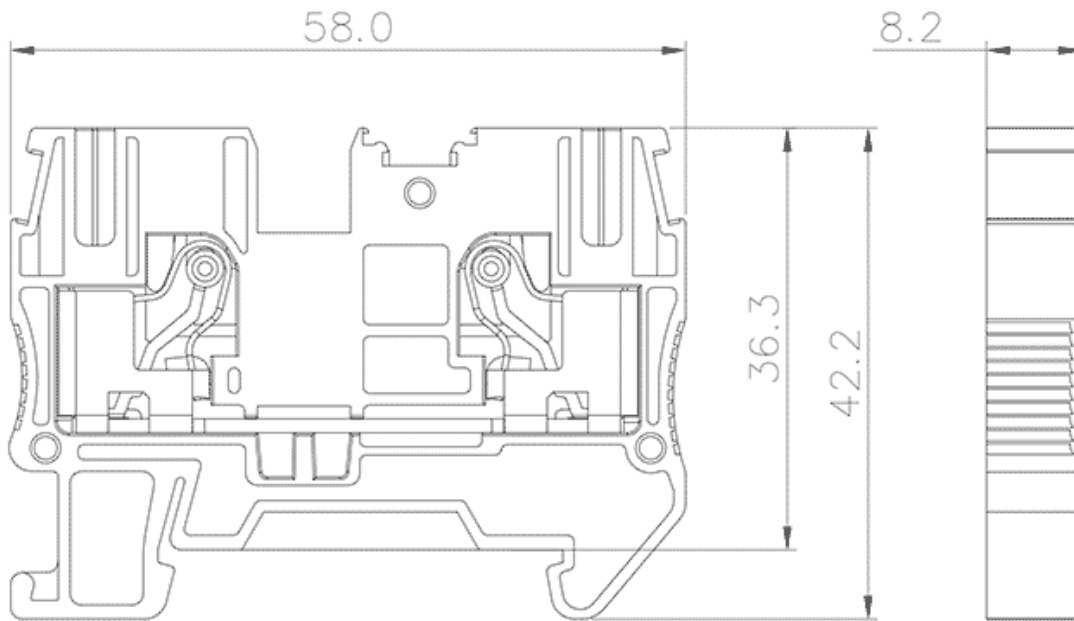


Product Type: Push-in spring terminal

Product Name:TP6-2-GY

Product Description: Connection method:Push in connection,IEC Rated Current:41A,IEC Rated Voltage:1000V,Number of connections:2,Number of levels : 1,Rated cross section:20-8AWG

Product Size



Parameters

<input checked="" type="checkbox"/> SUPU ID	TP6-2-GY
<input checked="" type="checkbox"/> Width	8.2mm
<input checked="" type="checkbox"/> Number of levels	1
<input checked="" type="checkbox"/> Number of connections	2

<input checked="" type="checkbox"/> Connection method	直插弹簧接线
<input checked="" type="checkbox"/> Protection Level	IP20
<input checked="" type="checkbox"/> Insulation material	PA66
<input checked="" type="checkbox"/> Insulation material group	I
<input checked="" type="checkbox"/> Contact material	Copper alloy
<input checked="" type="checkbox"/> Contact plating	Sn,Plated
<input checked="" type="checkbox"/> Ambient temperature (operation)	-40°C~105°C
<input checked="" type="checkbox"/> Ambient temperature (assembly)	-5°C~70°C
<input checked="" type="checkbox"/> Ambient temperature (storage)	-25°C~60°C
<input checked="" type="checkbox"/> Permissible humidity (storage/transport)	30%~70%

Technical data

<input checked="" type="checkbox"/> IEC Rated Current	41A
<input checked="" type="checkbox"/> IEC Rated Voltage	1000V
<input checked="" type="checkbox"/> Overvoltage category	III
<input checked="" type="checkbox"/> Degree of pollution	3
<input checked="" type="checkbox"/> Rated impulse voltage	8KV
<input checked="" type="checkbox"/> UL Rated Current	40A
<input checked="" type="checkbox"/> UL Rated Voltage	600V
<input checked="" type="checkbox"/> Conductor cross section rigid	0.5-10mm ²
<input checked="" type="checkbox"/> Conductor cross section flexible	0.5-6mm ²
<input checked="" type="checkbox"/> Conductor cross section flexible,with ferrule	0.5-6mm ²
<input checked="" type="checkbox"/> Stripping length	10-12mm
<input checked="" type="checkbox"/> Use group	B/C

☒ Rated cross section

20-8AWG

Commercial data

☒ Order No

TP6-2-GY

Ningbo SUPU Electronics Co., Ltd.

Address: No. 150, Xinxing 4th Road, High-tech Industrial Development Zone,
Cixi City, Zhejiang Province, China

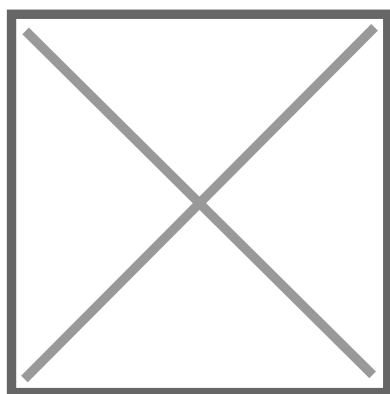
Zip code: 315303

Switchboard: +86 574-63288158

Fax: +86 574-63288170

E-mail:supucontact@supu.cn

Service Hotline: 400-626-6336



Wechat

Date:2026-05-04 11:09

The right to modify data belongs to SUPU.