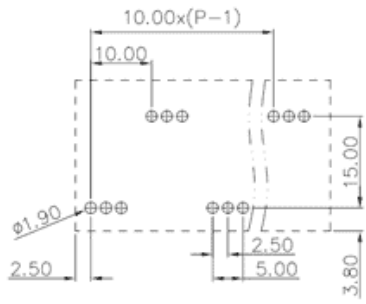


Product Type: Fixed terminal

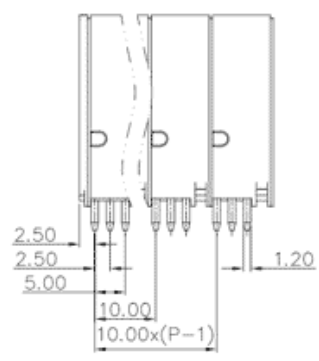
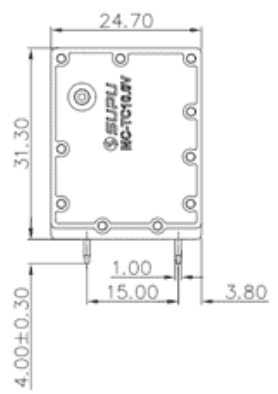
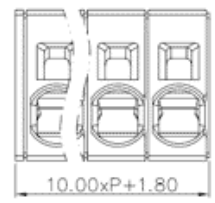
Product Name:MC-TC-
F10.0V04P-0001

Product Description: Pitch:10.0mm Rated
Voltage : 1000V Rated Current:76A Connection
method : Push in connection
colour : customizable

Product Size



PCB LAYOUT



Ningbo SUPU Electronics Co., Ltd.
Address: No. 150, Xinxing 4th Road, High-tech Industrial Development Zone,
Cixi City, Zhejiang Province, China
Zip code: 315303
Switchboard: +86 574-63288158

Ningbo SUPU Electronics Co., Ltd.

Fax: +86 574-63288170

E-mail:supucontact@supu.cn

Service Hotline: 400-626-6336



Wechat

Date:2026-06-19 11:28

The right to modify data belongs to SUPU.