

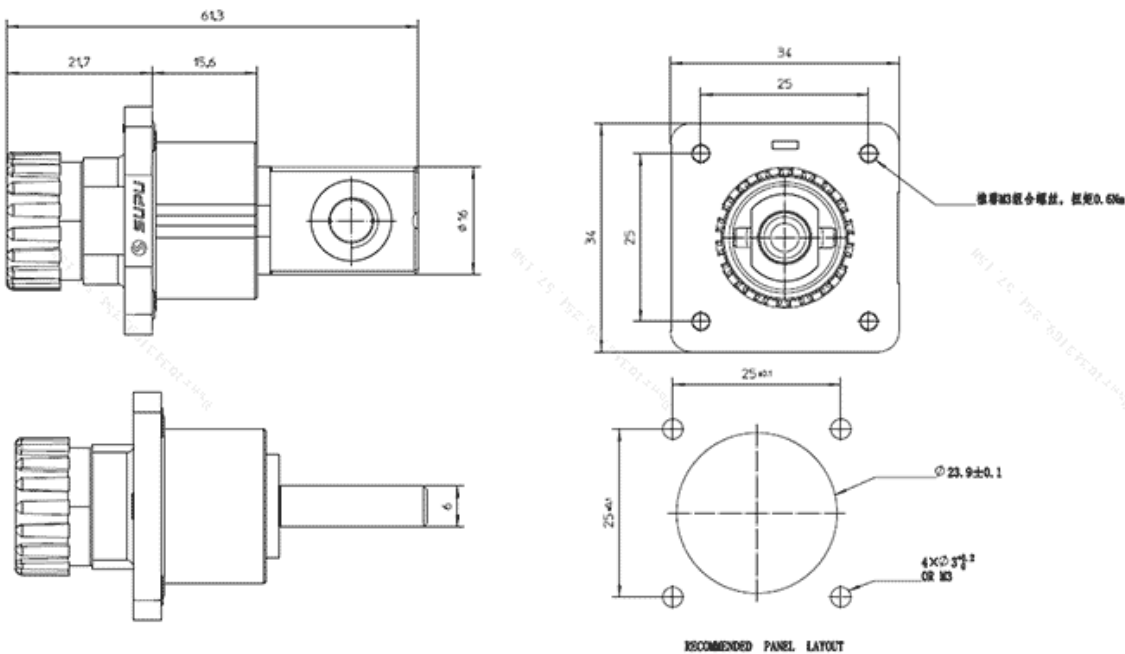


Product Type: IP67 connector

## Product Name:ESF-RS250A70BB3

Product Description: Connectors suitable for energy storage modules: Color: Black Wire cross-section: 50 mm<sup>2</sup> to 70 mm<sup>2</sup> Rated voltage: 1500V DC Rated current: 250A Connection method: screw Contact type: Pin

### Product Size



### Parameters

<input checked="" type="checkbox"/> SUPU ID	ESF-RS250A70BB3
<input checked="" type="checkbox"/> Number of connections	1
<input checked="" type="checkbox"/> Connection method	Screw thread

<input checked="" type="checkbox"/> Protection Level	IP 67
<input checked="" type="checkbox"/> Operating temperature range	-40°C~+125°C
<input checked="" type="checkbox"/> Insulation material	PA
<input checked="" type="checkbox"/> Insulation material group	III
<input checked="" type="checkbox"/> Contact material	Copper alloy
<input checked="" type="checkbox"/> Contact plating	Ag,Plated
<input checked="" type="checkbox"/> Insertion/withdrawal cycles	100
<input checked="" type="checkbox"/> Insertion force	≤75N
<input checked="" type="checkbox"/> Withdrawal force	≥10N

## Technical data

<input checked="" type="checkbox"/> IEC Rated Current	250A
<input checked="" type="checkbox"/> IEC Rated Voltage	1500V DC
<input checked="" type="checkbox"/> Overvoltage category	III
<input checked="" type="checkbox"/> Degree of pollution	3
<input checked="" type="checkbox"/> Rated impulse voltage	12.3KV
<input checked="" type="checkbox"/> UL Rated Current	250A
<input checked="" type="checkbox"/> UL Rated Voltage	1500V DC
<input checked="" type="checkbox"/> Stripping length	/
<input checked="" type="checkbox"/> Rated cross section(AWG)	2/0 AWG
<input checked="" type="checkbox"/> External cable diameter	/

## Commercial data

<input checked="" type="checkbox"/> Order No	ESF-RS250A70BB3
--	-----------------

<input type="checkbox"/> Packing unit	Pcs
<input type="checkbox"/> Minimum order quantity	1
<input type="checkbox"/> Single piece weight	53g

## Ningbo SUPU Electronics Co., Ltd.

Address: No. 150, Xinxing 4th Road, High-tech Industrial Development Zone,  
Cixi City, Zhejiang Province, China

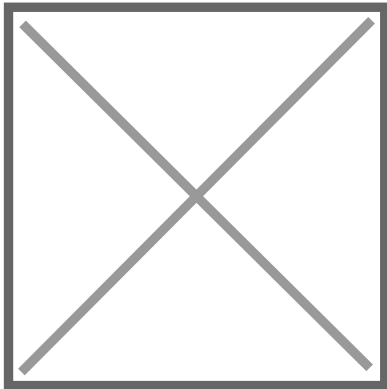
Zip code: 315303

Switchboard: +86 574-63288158

Fax: +86 574-63288170

E-mail: [supucontact@supu.cn](mailto:supucontact@supu.cn)

Service Hotline: 400-626-6336



Wechat