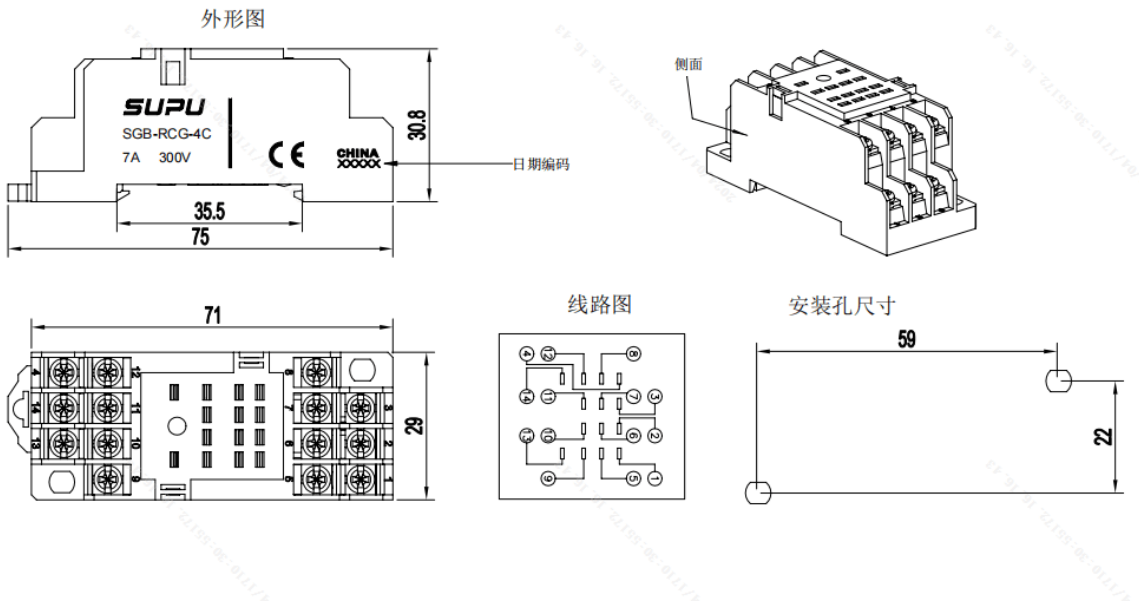


Product Type: Standard intermediate relay

Product Name: SGB-RCG-4C

Product Description: Screw Wiring, Universal, Electromagnetic Relay Base, 7A,4C

Product Size



Parameters

☞ SUPU ID	SGB-RCG-4C
☞ Protection Level	IP20
☞ Ambient temperature (operation)	-40°C~+65°C
☞ Mounting Type	DIN 35 rail mounting
☞ Color	Black
☞ Connection method	Standard screw connection

☞ Contact connection type

4C

Technical data

☞ IEC Rated Current

7A

☞ IEC Rated Voltage

300V

☞ Overvoltage category

II

☞ Degree of pollution

2

☞ Stripping length

/

☞ Wire Range

20-14/0.5-2.5AWG/mm2

☞ Screw torque

1.0Nm

Commercial data

☞ Order No

SGB-RCG-4C

☞ Packing unit

PCS

☞ Minimum order quantity

10

☞ Single piece weight

68

Ningbo SUPU Electronics Co., Ltd.

Address: No. 150, Xinxing 4th Road, High-tech Industrial Development Zone,
Cixi City, Zhejiang Province, China

Zip code: 315303

Switchboard: +86 574-63288158

Fax: +86 574-63288170

E-mail: supucontact@supu.cn

Service Hotline: 400-626-6336



Wechat

Date:2026-05-02 10:44

The right to modify data belongs to SUPU.