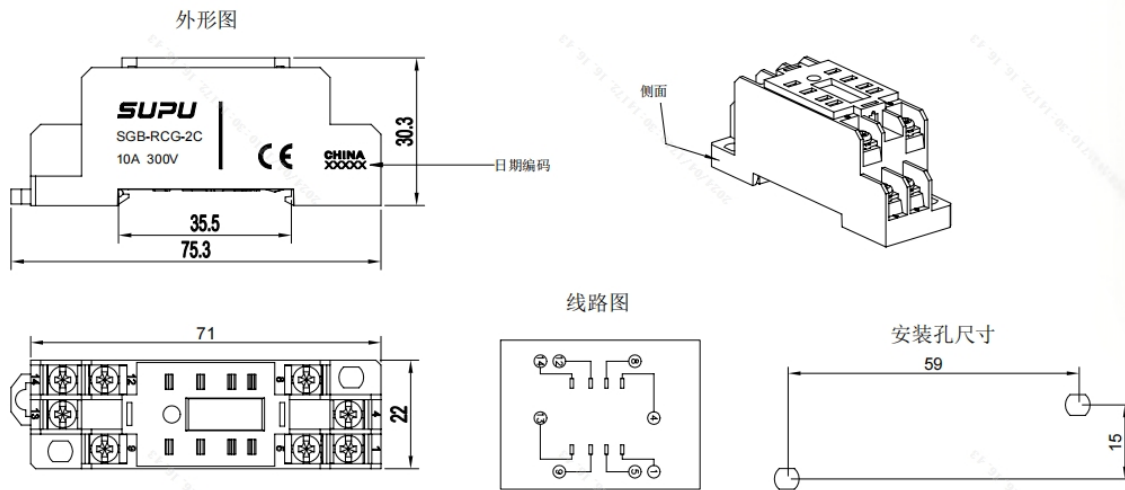


Product Type: Standard intermediate relay





Product Name: SGB-RCG-2C

Product Description: Screw Wiring, Universal, Electromagnetic Relay Base, 10A,2C

Product Size



Parameters

<p> SUPU ID</p>	SGB-RCG-2C
<p> Protection Level</p>	IP20
<p> Ambient temperature (operation)</p>	-40°C~+65°C
<p> Mounting Type</p>	DIN 35 rail mounting

☞ Color	Black
☞ Connection method	Standard screw connection
☞ Contact connection type	2C

Technical data

☞ IEC Rated Current	10A
☞ IEC Rated Voltage	300V
☞ Overvoltage category	II
☞ Degree of pollution	2
☞ Stripping length	/
☞ Wire Range	20-14/0.5-2.5AWG/mm2
☞ Screw torque	1.0Nm

Commercial data

☞ Order No	SGB-RCG-2C
☞ Packing unit	PCS
☞ Minimum order quantity	10
☞ Single piece weight	56

Ningbo SUPU Electronics Co., Ltd.

Address: No. 150, Xinxing 4th Road, High-tech Industrial Development Zone,
Cixi City, Zhejiang Province, China

Zip code: 315303

Switchboard: +86 574-63288158

Fax: +86 574-63288170

E-mail:supucontact@supu.cn

Ningbo SUPU Electronics Co., Ltd.

Service Hotline: 400-626-6336



Wechat

Date:2026-04-28 17:43

The right to modify data belongs to SUPU.